

SPECIFICATION

A: MATERIAL:

- 1.BODY: NYLON 66
- 2.TERMINAL: Cu PLATED Sn
- 3.PIN: Cu PLATED Ni

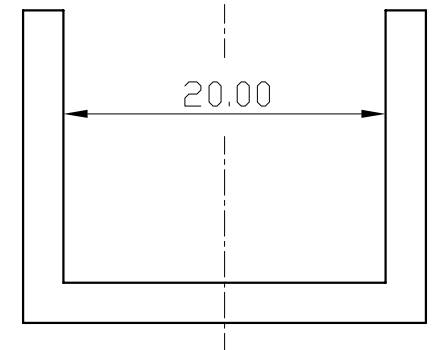
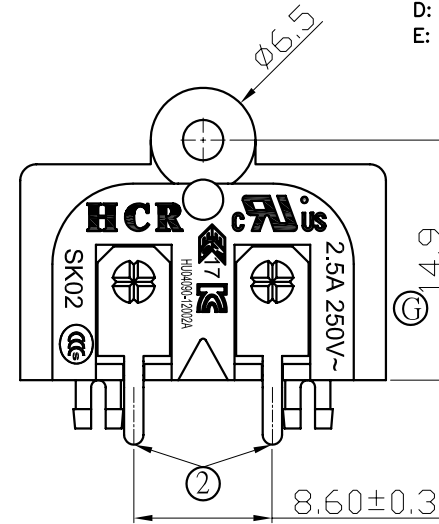
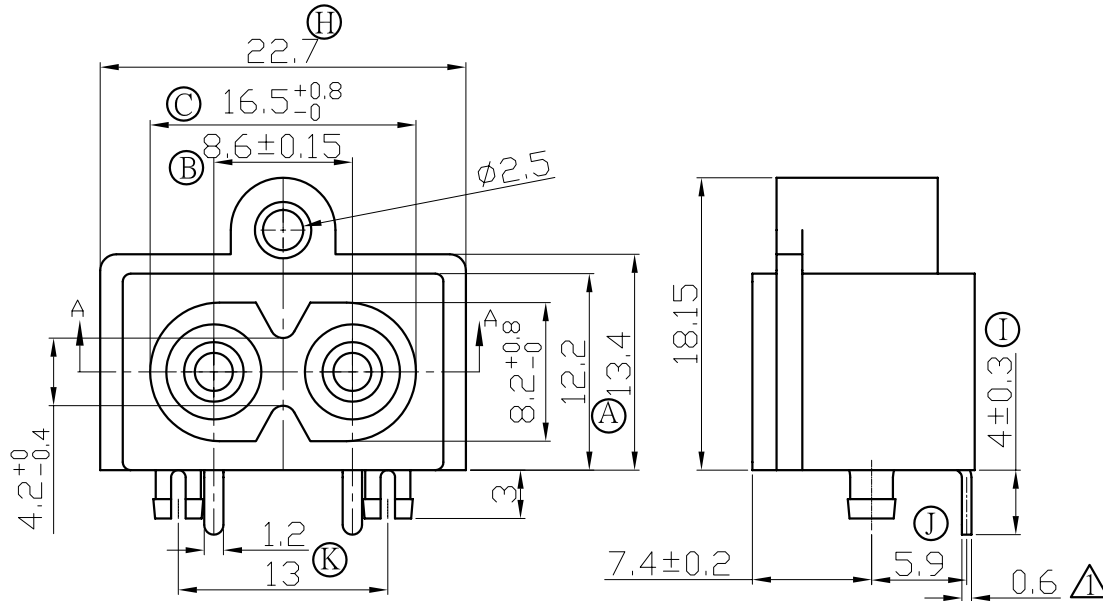
B: CHARACTERISTICS:

- 1.RATING: 2.5A 250V~(C-ULus, ENEC & CCC & KC)
- 2.INSULATION RESISTANCE:100MΩ MIN,AT 500VDC
- 3.ELECTRIC STRENGTH : 3000 VAC/1MIN,LEAKAGE CURRENT UNDER 0.5mA

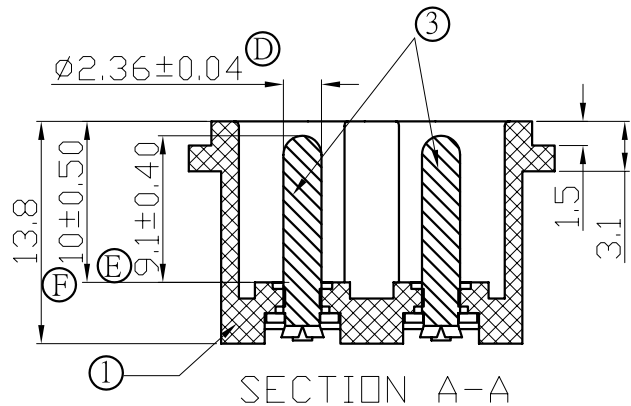
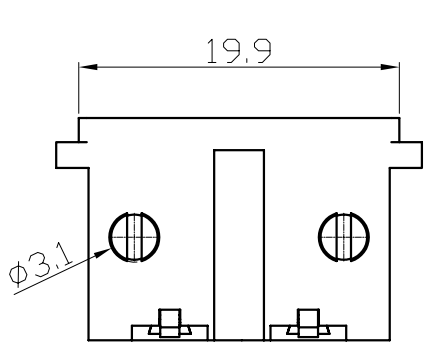
C: APPROVALS: C-ULus, ENEC & CCC & KC

D: MATERIAL USED MUST BE COMPLY WITH HQI-0010

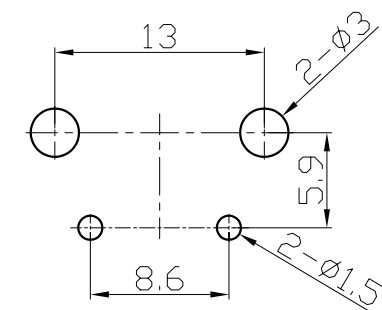
E: CAN MEET ROHS,ROHS2.0,HF



PANEL CUT-OUT



SECTION A-A



PCB LAYOUT

TOLERANCES UNLESS OTHERWISE 未指定容許差尺寸之公差	
BASIC DIMENSIONS TOLERANCES	
UP TO 10 (10以下)	±0.1
ABOVE 10 TO 30(10~30)	±0.3
ABOVE 30 TO 100(30~100)	±0.5
ANGULAR DIMENSIONS(角度)	±5°
DIMENSION UNIT	mm

東莞市華之力電子有限公司 DONGGUAN HCR ELECTRONICS CO., LTD.

2					核准 APPROVED BY	AaronJin	日期 DATE	2013/05/07	投影法 PROJECT		機型 PART NAME	INLET SOCKET	
1	2013/05/07	修定插座側邊端子厚度:0.8=>0.6mm	A1	WeiChen	AaronJin	校對 CHECKED BY	RZTang	日期 DATE	2013/05/07	比例 SCALE	1:1	型號 PART NO	SK02
0	2012/04/09	新制訂	A0	WeiChen	AaronJin	繪圖 DRAWN BY	WeiChen	日期 DATE	2013/05/07	路徑 DWG NO	E:\成品圖 SK02\820030	料號 ITEM NO	SK02-1701152221H
NO	DATE	REVISION DESCRIPTION	REVISEON	DRAWN	APPROVED								